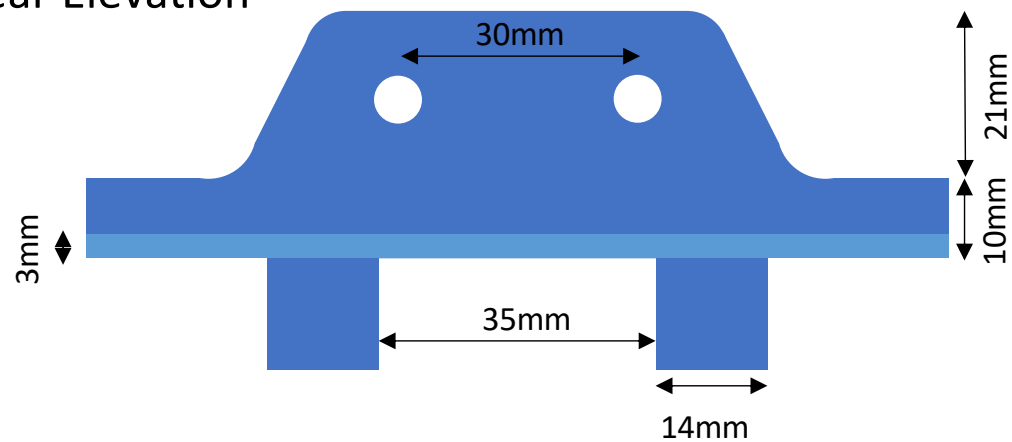
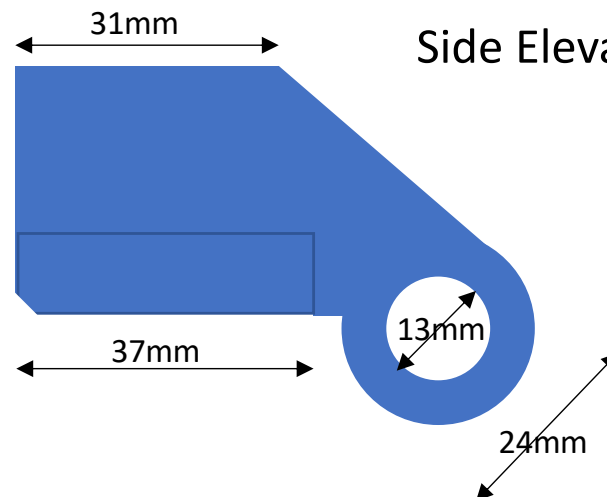


Rear Elevation



Side Elevation



Plan

